

Line laser, red, 650 nm, 90 °, 15 mW

LB650-15-230(40x210)-F3000
Order Number: 70113181

| Main Parameters (*) | min | typ | max | Unit |
|-----------------------|-----|-----|-----|------|
| Wavelength | | 650 | | nm |
| Optical Output Power | | 15 | | mW |
| Operating Voltage | 207 | 230 | 253 | V AC |
| Operating Current | 5 | 10 | 15 | mA |
| Operating Temperature | -20 | | 50 | °C |
| Storage Temperature | -40 | | 80 | °C |

Main Data

| | |
|----------|---------|
| Warranty | 1 years |
|----------|---------|

Technical Parameters

| | |
|----------|------------|
| Lifetime | > 10,000 h |
| RoHS | yes |

Optical Parameters

| | |
|--------------------|----------------------|
| Beam Shape | Line |
| Laser Class | 2 |
| Divergence | B - 0.3 mrad |
| Fan Angle | 90 ° |
| Line Thickness | <1.5mm@3m |
| Operating Distance | 3 m |
| Optics | glass lens AR coated |
| Laser technology | Single Mode Diode |
| Focus | fixed (3000mm) |

Electrical Parameters

| | |
|----------------------|------------|
| Potential of Housing | isolated |
| Connector | AC CEE 7/7 |

Mechanical Parameters

| | |
|-----------------|------------|
| Size | Ø40x210 mm |
| Material | aluminium |
| Cable length | 1,750 mm |
| Wire type | H05VV-F |
| Output Aperture | 8 mm |
| Weight | 920 g |

(*) Over the complete operating temperature range

Features



- Operating Voltage 230 V AC
- Laser Class 2
- Fixed focus
- Glas lenses anti reflex coated
- Uniform line thickness

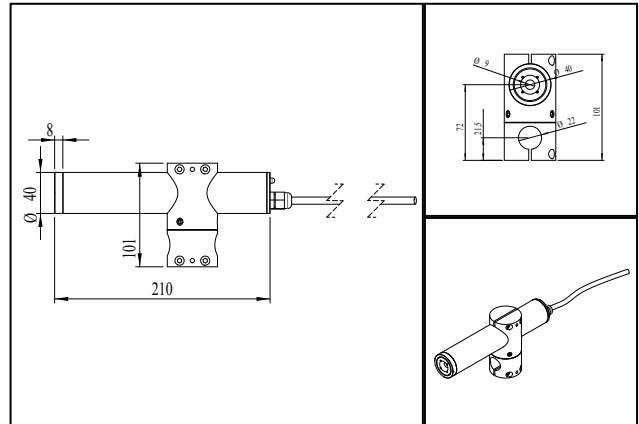
Picture



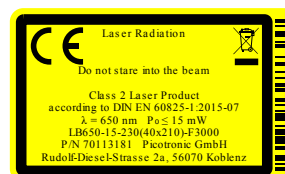
Montageplatte optional
Base Plate not included



Drawing



Safety Label



Valid Revision

1 | 05-APR-2022